



Advanced Configuration

Ecological and economical

- ▶ High-pressure common rail EFI engine meets North American EPA Tier 4 Final emission standards
- ▶ Large diameter multi-way control valve reduces internal pressure loss of the channel and improves maneuverability
- ▶ Smart electronic control system can achieve dynamic balance between power and hydraulic system

Excellent after-sales service

- ▶ Global after-sales service system and quick response mechanism
- ▶ Real-time technical consultation and maintenance

Multiple applications

- ▶ Different boom, stick and bucket combinations to maximize utilization of different conditions
- ▶ Multi-functional machine system meets various job requirements such as digging, crushing, and thumb clamp

Convenient maintenance

- ▶ LED color display reminds you with machine maintenance information timely
- ▶ Daily maintenance points are within reach from the ground
- ▶ Dual fuel filter element can protect fuel system
- ▶ Centralized lubrication design concept makes lubrication easier

Comfortable operational experience

- ▶ High-performance silicone oil shock absorber improves comfort.
- ▶ Air Conditioner and Heater ensure the appropriate temperature
- ▶ Integrated control panel and large display screen provide multiple information

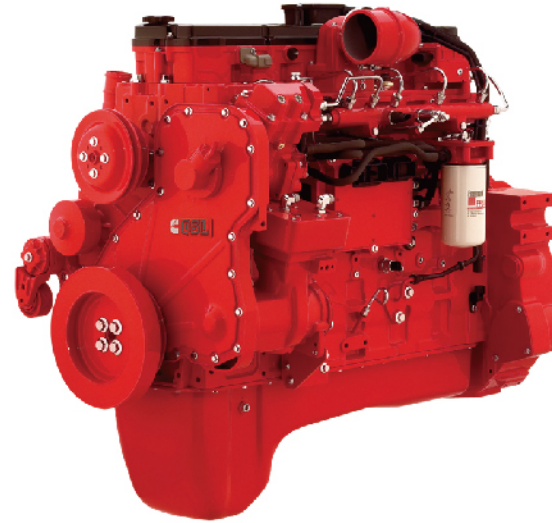
Safe and durable

- ▶ ROPS cab improves safety
- ▶ Strengthened key stress-bearing parts of chain links
- ▶ Full-size heavy-duty reinforced chassis structure can ensure the stability of the whole machine



Ecological And Economical

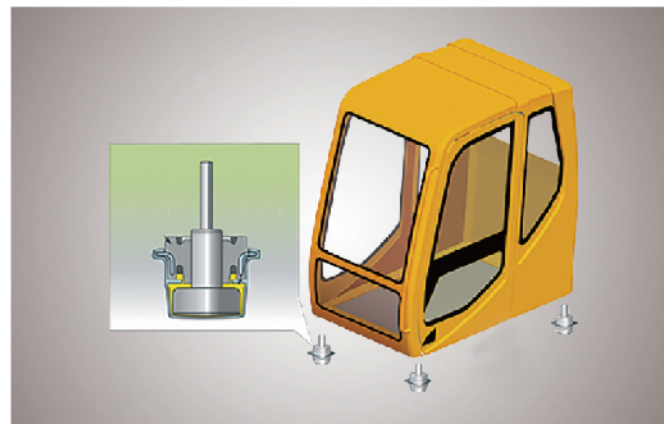
- ▶ High-pressure common rail EFI engine that meets North American EPA Tier 4 Final emission standards achieves optimal fuel injection control, improves combustion efficiency, and is more energy efficient and environmentally friendly.



- ▶ Equipped with a new large diameter multi-way control valve, hydraulic system is quick and efficient; Valve element is further optimized to reduce internal pressure loss of the channel, improve maneuverability and efficiency of the composite operation.
- ▶ Intelligent electronic control system can achieve optimal matching control of engine speed and hydraulic pump, and dynamic balance between power and hydraulic system.

Comfortable And Safe

- ▶ High-performance silicone oil shock absorber with internal damping spring will effectively isolate shock waves in specific frequency bands for improved comfort.



- ▶ The new cab is complemented by luxurious interiors. The panoramic sunroof has a wider view and operation buttons are centrally arranged to fully upgrade the driving experience.



- ▶ Large-screen color LED display, with digital display of machine related information, has good visual effect and more human-machine interface.

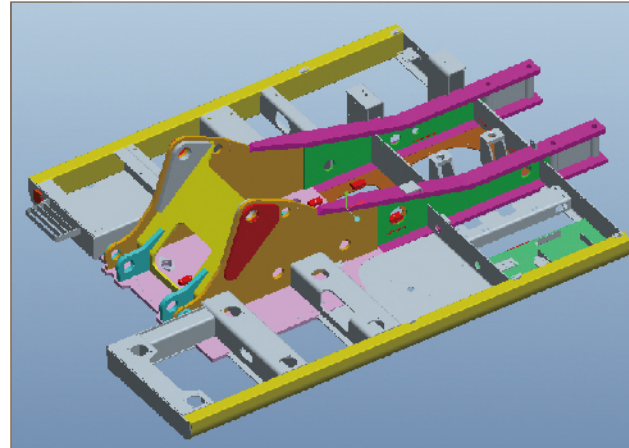
- ▶ High-power air conditioner and heater, equipped with multi-channel stereo air supply system and advanced sound system, is convenient and comfortable for all kinds of operation at your fingertips.



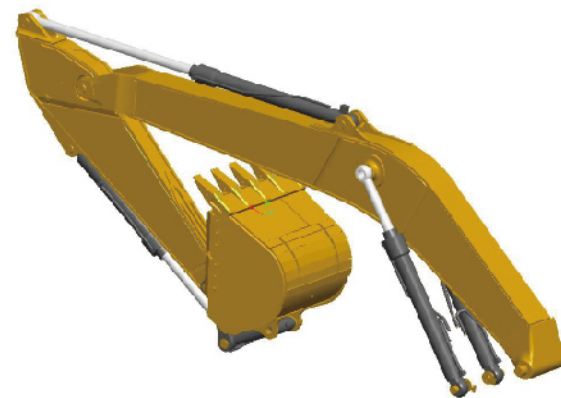
Reliable And Durable

- ▶ Adopt a large number of special technologies and imported high-strength, wear-resistant steel to develop and manufacture structural parts; It will greatly enhance strength of products and prolong their service life, so as to cope with adverse working conditions easily.

- ▶ Full-size heavy-duty reinforced chassis, along with reinforced working equipment, can ensure the stability of the whole machine while satisfying the powerful digging force.

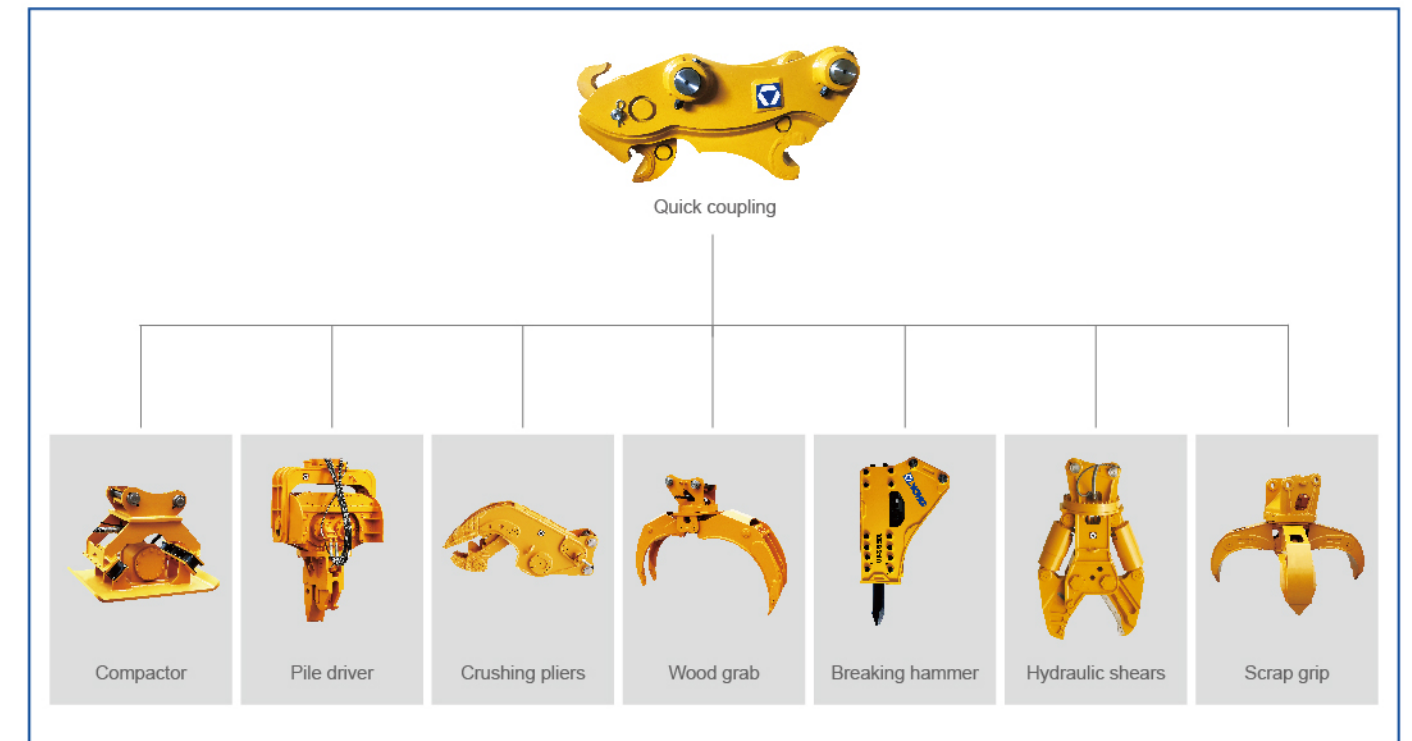


- ▶ The reinforced working equipment, combined with the high-pressure system, can ensure that the machine possesses the most powerful digging force among the same size of machines, which can easily cope with various working conditions and meanwhile guarantee long service life.
- ▶ ROPS Cab can be equipped with top guard, front guard and side guard to meet anti-falling requirements, and thus to further improve cab safety.



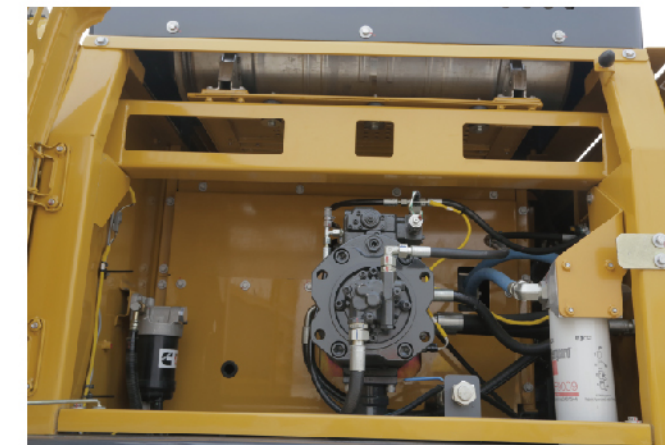
Multiple Application Conditions

- ▶ Hammer and quick coupler are optional, which can widen the applications of the machine; standard 3.2m arm, optional 2.67m/2.9m short arm, standard 1.6m³ standard reinforcement bucket, optional 1.4m³/ 1.5m³ rock bucket and 1.8m³ earth working bucket.
- ▶ The first-rate digging force can fully apply to complex construction environment.



Maintenance And Service

- ▶ New LED color display with remote fault diagnosis function, operation process will be recorded at any time, machine maintenance will be timely reminded, which makes the users use at ease.
- ▶ Daily maintenance points are within reach: Whether it is fuel filter, oil filter, pilot filter or air filter, you can directly service it on the ground.
- ▶ Two-stage fuel filter can protect fuel system; oil water separator has higher particle filtration accuracy and better oil adaptability.
- ▶ The lubrication points of the working equipment are in the form of centralized lubrication, which makes lubrication easier.



As a large-tonnage excavator, the XE360U uses a high-pressure common-rail EFI engine that meets North American EPA Tier4F emissions, achieving optimal fuel injection control and improved combustion efficiency for greater energy and environmental protection. The new cab is complemented by luxurious interiors. The panoramic sunroof has a wider field of view and the operation buttons are centrally arranged to fully upgrade the driving experience. The reinforced working device, combined with the high-pressure system design, ensures that the machine has the most powerful digging force in the same class of machines, and can easily cope with various working conditions. Can be widely used in municipal construction, highway and bridge construction, digging trenches, farmland water conservancy construction and other projects.



Standard Configuration

	Name of equipment	XE360U
Engine	Automatic preheating	
	Oil-water separator with water level indication sensor	
	DC air filter	
	50°C high temperature ambient cooling assembly	
	Radiator dust screen	
	Fuel marker	
	Oil-water quick release device	
	Fuel filling pump 50L / min	
	Fuel breather valve	
	Air pressure difference indicator	
	AD Blue	
	Automatic idle speed	
	Boom/arm flow regeneration	
	Auxiliary hydraulic valve	
	Reverse rotation damping valve	
Automatic rotation parking brake		
Hydraulic system	Hydraulic buffer valve	
	Straight hydraulic circuit	
	Boom priority valve	
	Rotary logic valve	
	Hydraulic oil ISO VG 46	
	One-way hydraulic line	
	Single bidirectional switchable hydraulic line	
	Quick change hydraulic line	
	Operation mode switching	
	Rotary anti-sway valve	

Hydraulic system	Spare valve plate	
	Gauge pressure monitoring	
	ROPS/FOPS cab	
	Top protection, front protection net	
	Pressurized cab	
	Air suspension seat with cushion heating	
	Adjustable seat armrest	
	Seat belt (51 mm [2 "] wide)	
	Openable windscreen with auxiliary device	
	Front windshield divided by 70/30 ratio	
	Double laminated windshield and other toughened windows	
	Sliding door upper window	
	Bi-directional air outlet air conditioner with defroster (automatic type) (pressurization function)	
	Color liquid crystal display capable of displaying warning information, filter / liquid replacement information and working hours	
	Cab and interior trim	Control handle
Travel control pedal with detachable manual control lever		
Two stereo speakers		
Beverage cup holder		
Coat and hat hook		
Cleanable floor mat		
Air conditioning system		
High and low gears shift		
One-key boost mode		
Reserve switch for working aids		
Electric sunshade curtain		
Top sunroof		
Intermittent multi-gear wiper		
Cup holder/envelope		

Cab and interior trim	Cold and warm storage box
	Radio receiver
	Driving door locks and cabin locks
Safety and security configuration	Alarm horn
	Isolation plate between engine and oil pump chamber
	Engine Emergency Stop Switch
	Rear window emergency exit
	Battery circuit breaker
	Boom and arm retaining valve
	Explosion-proof valve for boom and arm pipeline
	Overheat alarm
	Safety handrails and pedals
	Rotary alarm lamp
	Anti-skid plate/anti-skid paste
	Hydraulic safety locking lever
	Emergency escape hammer
Chassis system and shield	Left and right rearview mirrors
	Bottom frame traction ring
	600 mm (24 ") three-rib track shoe
Working device	Protective device kit: chassis bottom sealing plate, walking motor sealing plate
	Track double rail protector
Electrical system	Boom 6.4m
	Arm 3.2m
	Bucket 1.6m ³ Strengthen Bucket
Electrical system	Battery (2× 850CCA)
	100A alternator
	7.8 kW starter motor
	Travel alarm

Electrical system	12V cigarette lighter
	Rear Camera
Lighting lamp	5V USB interface
	Right and left boom work lights
	Right working light installed on storage box
	Cab interior lighting
Counterweight	Front working light installed on cab top
	7.2 t counterweight
Technology	XEICS intelligent control system
	Data link socket
Lubrication system	Boom and stick centralized lubrication
	Centralized lubrication

Optional Configuration

	Name of equipment	XE360U
Engine	Coolant heater (fuel type)	
Hydraulic system	Hydraulic oil ISO VG 32, 68	
Cab and interior trim	Fully adjustable mechanical suspension seat	
	Fire extinguisher	
Chassis system and shield	700 mm (28 ") three-rib track shoe	
	800 mm (31 ") three-rib track shoe	
	Full-length track guard (two-piece, lower frame needs to be replaced)	
Working device	Arm 2.6 7m	
	0.87m ³ Strengthened bucket	
	1.17m ³ Strengthened bucket	
	1.53m ³ Strengthened bucket	
	2.32m ³ Strengthened bucket	

Working device	0.9m ³ Strengthened bucket
	2.32m ³ Dredging bucket
	Quick coupler
	Hydraulic breaker
	Hydraulic thumb pliers
	Ripper
	Vibratory plate compactor
	Hydraulic shear
	Grapples
	High frequency crusher
Lubrication system	Clamshell bucket
	Scrap grapple
Electrical system	Screening bucket
	Pipe grab
	Electric self-lubricating system
	24V cigarette lighter
	12V power interface

Item	unit	Main specifications
Engine	No. of cylinders	/ 6
	Rated power/speed	kw/rpm 213/2000
	Maximum torque/speed	N.m 1451/1400
	Displacement	L 8.9
Main performance	Travel speed (H/L)	km/h 5.4/3.2
	Swing speed	r/min 9.7
	Gradeability	° ≤35
	Ground pressure	kPa 66.7
	Bucket digging force	kN 263
	Arm digging force	kN 183
	Maximum tractive force	kN 285
	Main pump	/ Two piston pumps
	Rated flow of main pump	L/min 2×300
	Main safety valve pressure	MPa 34.3/37.3
Hydraulic System	Travel system pressure	MPa 34.3
	Swing system pressure	MPa 26.5
	Pilot system pressure	MPa 3.9
	Fuel tank capacity	L 660
Oil Capacity	Hydraulic tank capacity	L 350
	Engine oil capacity	L 30
Standard	Length of boom	mm 6400
	Length of arm	mm 3200
	Bucket capacity	m ³ 1.6
Optional	Length of boom	mm 6200
	Length of arm	mm 2900/2670
	Bucket capacity	m ³ 1.4(Rock bucket) 1.8(Earthwork bucket)

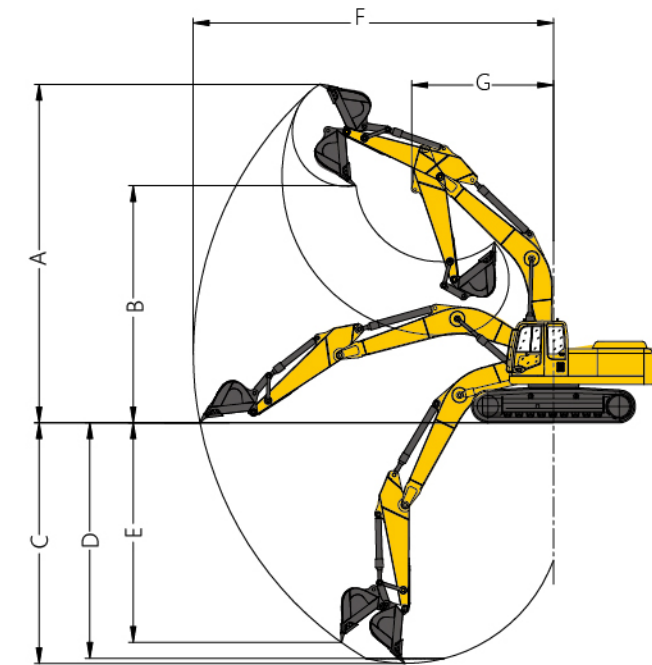
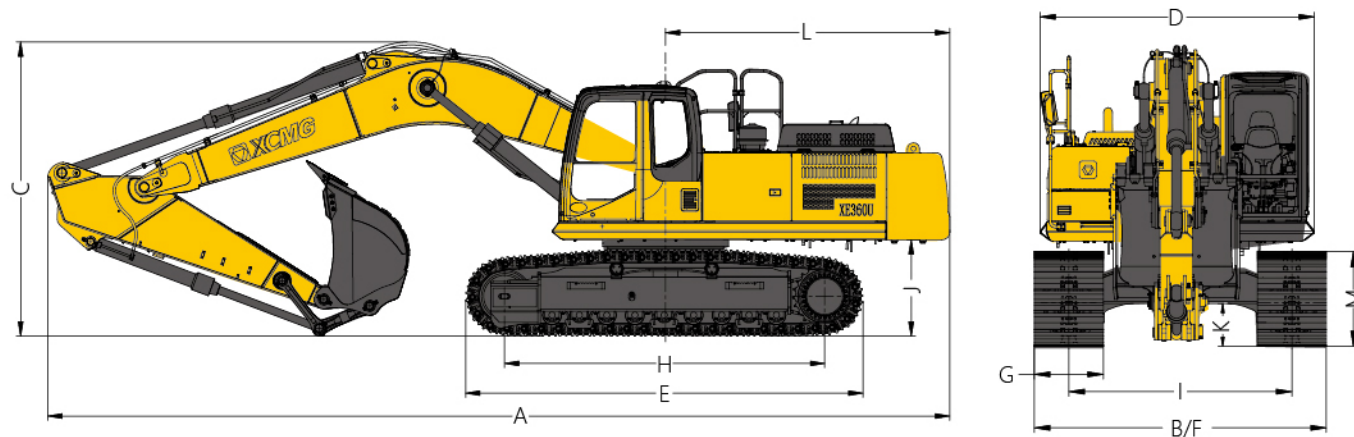
Main Specifications

Item	Unit	Parameters
Model	/	XE360U
Operating weight	Kg	36800
Bucket capacity	m ³	1.4~1.8
Engine	Model	Cummins QSL9
	Direct injection	√
	Four strokes	√
	Water cooling	√
	Turbo-charging	√
	Air to air intercooler	√

Dimensions

Item	Unit	Parameters
A Overall length	mm	11388
B Overall width	mm	3390
C Overall height	mm	3570
D Width of platform	mm	3200
E Track length	mm	5035
F Overall width of chassis	mm	3390
G Track shoe width	mm	800
H Wheel base of crawler	mm	4040
I Track gauge	mm	2590
J Counterweight clearance	mm	1197
K Min. ground clearance	mm	500
L Min. tail swing radius	mm	3700
M Height of track	mm	1115

Appearance size



Working Range

Item	Unit	Parameters
A Max. digging height	mm	10445
B Max. dumping height	mm	7287
C Max. digging depth	mm	7423
D Maximum depth cut for 2240mm(8 ft) level bottom	mm	7266
E Max. vertical wall digging depth	mm	6776
F Max. digging radius	mm	11114
G Min. swing radius	mm	4369

Working scope

Lifting Capacity

Lifting point height (m)	Rated lift capacity – Straight ahead (back) (kg)					Rated lift capacity – over-side (kg)				
	Lifting point radius (m)		Lifting capacity at maximum radius	Lifting point radius (m)		Lifting capacity at maximum radius				
	3	4.5		3	4.5					
7.5			*8759							
6			*9301	*8722	*8695		*9301	7713	6954	
4.5		*13404	*10573	*9236	*8770	*13404	10260	7543	6181	
3			*12055	*9953	*8863		9727	7249	5791	
1.5			*13280	*10615	*8723		9278	6976	5647	
Ground		*18702	*13851	*10905	*8991	13009	8943	6802	5746	
-1.5	*14413	*18483	*13353	*10882	*9806	24798	12951	8834	6773	
-3	*25586	*16449	*11171		*11064	24981	13009	8927	7146	
-4.5	*20382	*13953			*12708	*20382	13405		9562	

Capacities marked with an asterisk(*) are limited by hydraulic capacities.



Machmall.com is an electromechanical product platform officially launched by XCMG, aiming to provide global customers with a complete set of high-quality construction machinery solutions and supporting equipment.

Xuzhou Construction Machinery Group Co., Ltd. (XCMG Group), founded in 1943, is the fourth largest worldwide construction machinery manufacturer and the largest in China with products covering 183 countries and regions.

XCMG have 12 complete solutions: Crane lifting, Mining Construction, Earth-moving Solutions, Road Machinery, Concrete Equipment, Tunnel and Underground Space Construction, Mobile Elevating Work Platform (MEWP), Piling and Non-excavation Equipment, Transportation Equipment, Environmental Sanitation Equipment, Firefighting, Safety and Emergency Rescue


徐工徐工，助您成功

— XCMG for your success —



 <https://www.machmall.com/>

 machmall@xcmg.com

 0086 18652 183963
86-516 8773 9797

